

APPLICATIONS

- Weather distribution
- IPTV content aggregation (head end) and/or delivery
- Hotel or cruise ship infotainment
- Cable network head-ends
- Digital cinema
- Business television
- Distance education
- Digital signage

FEATURES

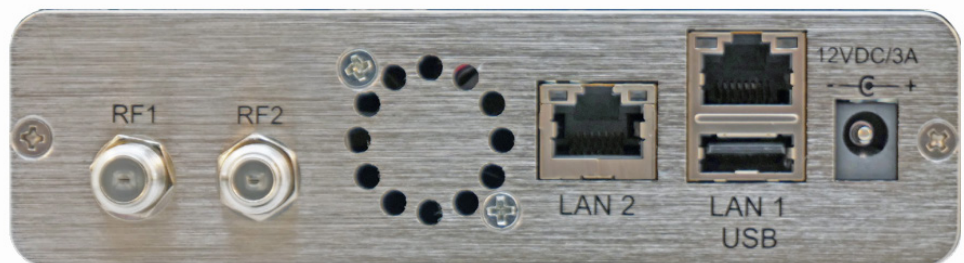
- DVB-S/S2/S2X compliant
- IPv4 & IPv6 network support
- Up to 250 Mb/s per tuner-channel
- Two RJ45 Ethernet interfaces
- One or Two tuner/demod configurations
- Over-the-air configuration and software updates
- SNMP support for enterprise network management
- IPTV forwarding on multicast (SPTS/MPTS)
- 64 services of 8 PIDs
- RESTful browser GUI for configuration and status
- Decryption options including BISS, and optional Single Common Interface (CI) slot
- USB interface for expanded storage, return channel options or wifi support
- MicroSD slot for expanded memory
- 2 x 16 LCD display with selectable status reporting
- Secure Linux OS with flexible application integration options
- TRANSEC option available upon request
- DVB-TS to IP forwarding and filtering

S401 PRO

DVB-S/S2/S2X compliant IP Receiver/Router

The **S401 PRO** DVB-S/S2/S2X compliant satellite data receiver. It incorporates new functionality, additional interfaces and 2 transponder capability plus an LCD front panel display.

Enhanced capabilities of the **S401 PRO** family include increased throughput (up to 300 Mb/s total from 2 tuners-channels), added MPE and ULE de-encapsulation support for efficient data and stream delivery, on-board storage useful for data applications, additional interfaces for dedicated secure receiver management and simplified integration with other peripherals and systems, and an architecture specifically designed to enable factory customization for specialized applications. The **S401 PRO** is ideally suited for a range of applications that require a full-featured, flexible, easily integrated satellite receiver.



AVAILABLE MODELS

S401 PRO as shown

Compatible with

- GOES Rebroadcast (GRB), CADU, and Baseband Frames
- EUMETSAT
- AWIPS
- NOAAPort
- GK-2A (Korea)
- HimawariCast

TECHNICAL

Features

- DVB-S/S2/S2X compliant IP Receiver/Router
- Single tuner/demod with option for 2nd tuner/demod
- Full Transponder Program Listing
- Selectable SI Table PID pass-through
- Single Program PAT Re-generation
- VCM
- Multi-transport stream support with ISI filtering support
- Delivery of IP SPTS/MPTS or MPEG Services
- CI Slot for CAM option

Satellite L-Band Input

- Receiving Frequency: 950 to 2150 MHz
- Frequency Acquisition: ± 10 MHz above 10 Mbaud
- Input Signal Level: -65 dBm to -25 dBm
- Automatic Symbol Rate detection and lock
- Automatic Code Rate detection and lock
- Data Throughput: 100 Mb/s
- Nyquist Root Filter: 5%, 10%, 15%, 20%, 25%, 35% roll-off
- Multi-stream VCM
- Gold Code: 0 to 262143

DVB-S

- Viterbi 1/2, 2/3, 3/4, 5/6, 7/8 puncture rates
- Reed Solomon 16 bit decoder

DVB-S2

- QPSK 1/4, 1/3, 2/5, 1/2, 3/5, 2/3, 3/4, 4/5, 5/6, 8/9, 9/10
- 8PSK 3/5, 2/3, 3/4, 5/6, 8/9, 9/10
- 16APSK 2/3, 3/4, 4/5, 5/6, 8/9, 9/10
- 32APSK 3/4, 4/5, 5/6, 8/9, 9/10
- Normal and short frames
- BCH (Bose-Chaudhuri-Hocquenghem) decoder

DVB-S2X

- all MODCODs per ETSI TR 102 376-2

LNB Power and Control

- LNB Supply Voltage: 13/18V or off
- LNB Supply with long line compensation +1 volt
- LNB Control: 22 kHz or off

Configuration

- Web based configuration and management
- Over the air configuration and software update

Status Monitoring

- Signal Strength
- Signal Lock, Data Lock
- Error status: C/N, Uncorrectable packets
- Frequency error
- DVB PID counters

Status Indicators

- LCD with multiple status pages
- Power: Green LED
- Lock/Data: Green LED
- Ethernet Link (green) and Transmit (yellow)

Hardware Capabilities

- Encapsulation MPE, ULE, GSE
- PID Filters
- Simultaneous MPEG Programs: 64
- Internal Hardware Watchdog
- Non-Volatile Configuration Storage
- Field or OTA upgradable operating system for software and functional upgrades

Physical Interfaces

- Two L-Band Input Connectors: F-Type, 75 ohms
- One Ethernet GbE RJ-45 LAN interface for data output
- One Ethernet 100Base-T interface for monitor and control
- Micro SD slot

Physical/Environmental

- Height: 1.41 in (3.58 cm)
- Width: 5.22 in (13.26 cm)
- Depth: 4.95 in (12.56 cm)
- Weight: 1 lbs (0.46 kg)
- Operating Temperature: 0°C to 40°C

Standards/Regulatory

- UDP/IP Protocol
- IP Multicast + Unicast
- IGMP: v1.0, v2.0
- SNMP v2c
- ETSI 302307 PUB-S2
- ISO/IEC 13818-1
- ISO/IEC 13818-6
- IEEE 802.3 10/100 Mb/s
- FCC/Industry Canada /CE
- EN 55022 (Emissions)
- EN 55024 (Immunity)
- EN 60960 (Safety)

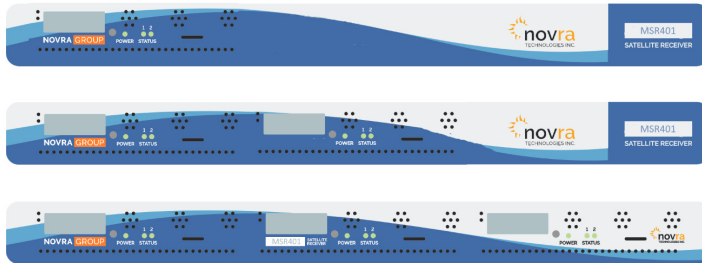
SYMBOL RATE SPECIFICATIONS

S401	Modulation	Demodulators	Min. (kBaud)	Max. (MBaud)
DVB-S	QPSK	1	100	67.5
		2	100	67.5
DVB-S2 DVB-S2X Note: sample MODCODs for DVB-S2X "narrowband" mode. "wideband" mode, with higher symbol rates, available upon request.	QPSK	1	100	64
		2	100	64
	8PSK	1	100	64
		2	100	64
	16APSK	1	100	64
		2	100	64
	32APSK	1	100	51
		2	100	51
	64APSK	1	100	43
		2	100	43

TECHNICAL

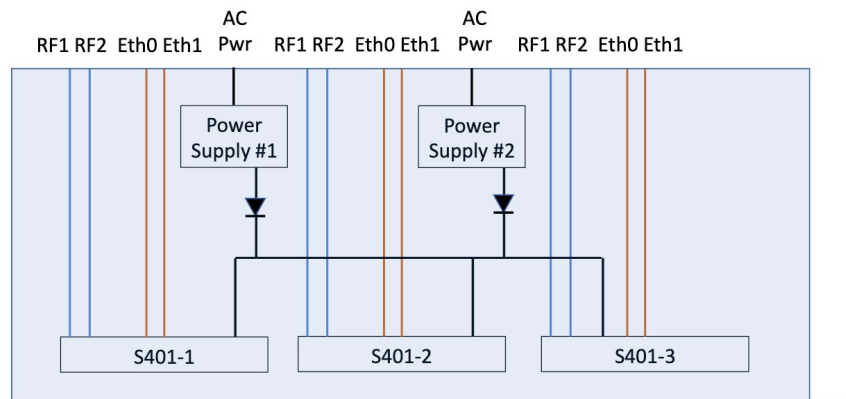
Rack Panel Mounting Solution

- 1 RU flat panel for mounting 1, 2, or 3 S401 receivers



Rack Mount Enclosure

- 1 RU enclosure of 1, 2 or 3 S401 receivers
- Dual Power Supplies
- Height: 1.75 in (4.45 cm)
- Width: 17 in (43.20 cm)
- Depth: 12 in (30.50 cm)
- Weight: 6.4 lbs (3 Receiver modules installed)



Rack Mount Enclosure
MSR401-x